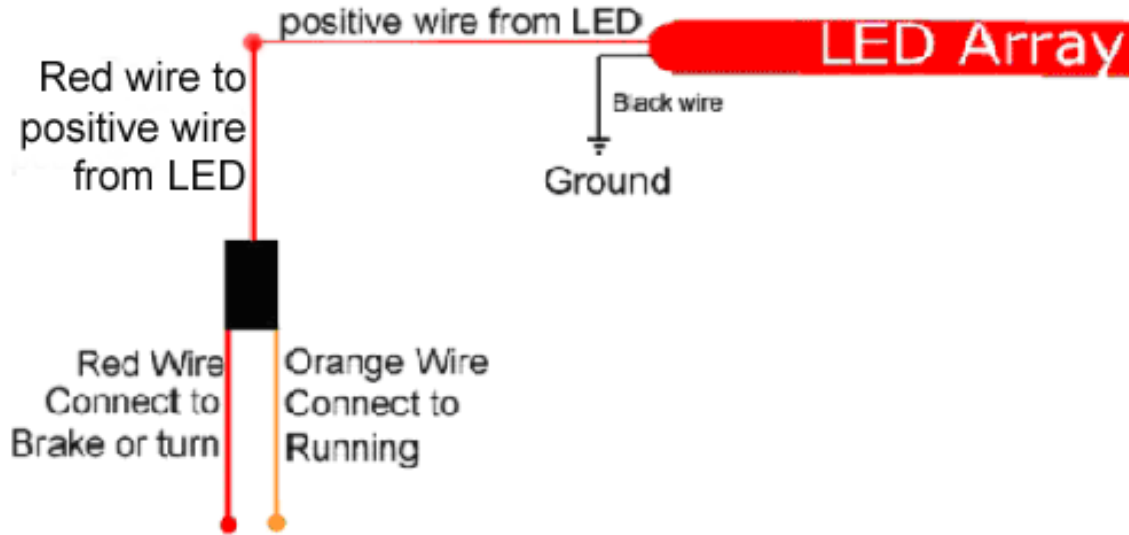


# Dual Element Conversion Wiring / Schematic Diagram



There are different dual elements for different sizes of flexible LED arrays.

| Radiantz Part number | Color of shrink tube on dual element | Number of LED used on |
|----------------------|--------------------------------------|-----------------------|
| 6123-00              | blue shrink tube                     | 5-10                  |
| 6120-00              | black shrink tube                    | 15-25                 |
| 6122-00              | yellow shrink tube                   | 30-60                 |
| 6121-00              | white shrink tube                    | 65-100                |

To connect dual element

**Red wire** - goes to the positive wire from the LED array

**Red wire (next to orange wire)** – connect to brake or turn signal (this wire will give full power to the light when the brake is turned on or the turn signal is turned on)

**Orange wire** – connect to the running (this gives the low or running mode to the light)